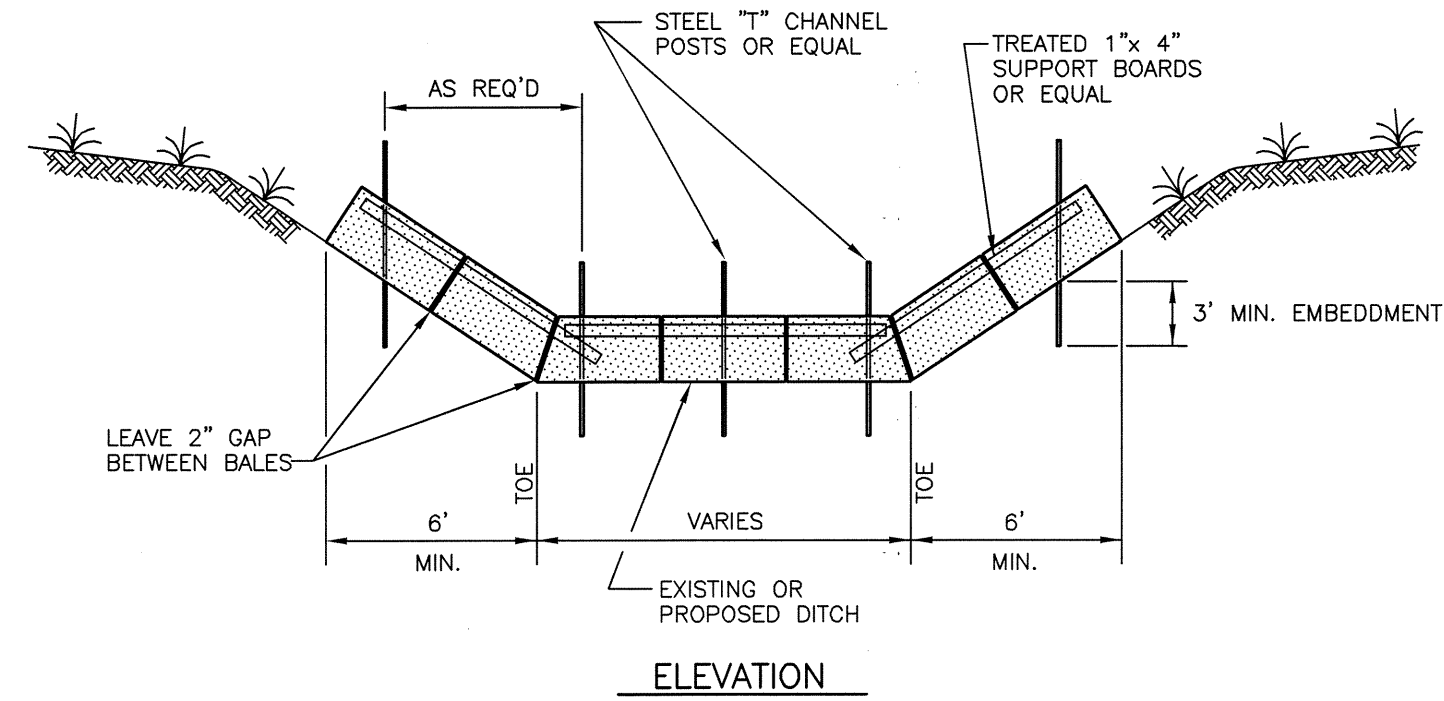
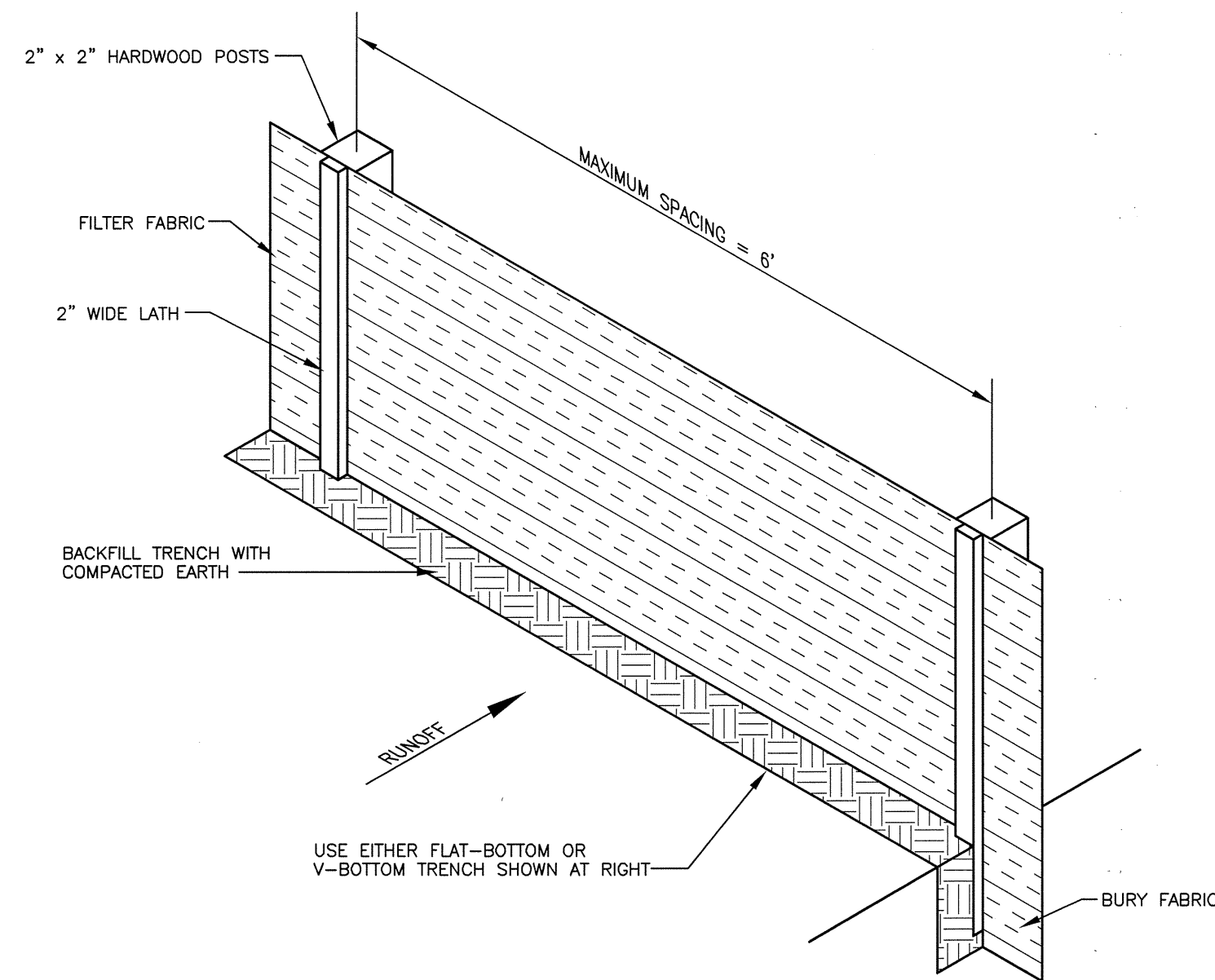


PLAN

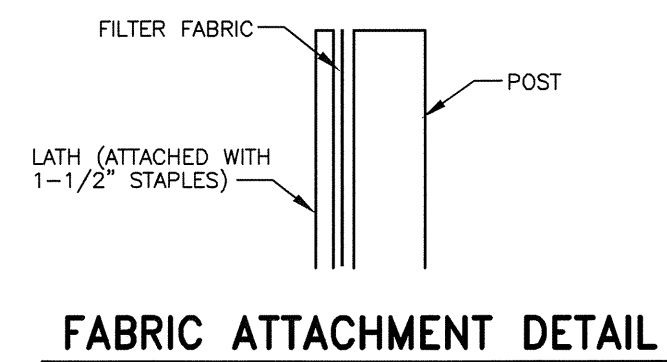


ELEVATION

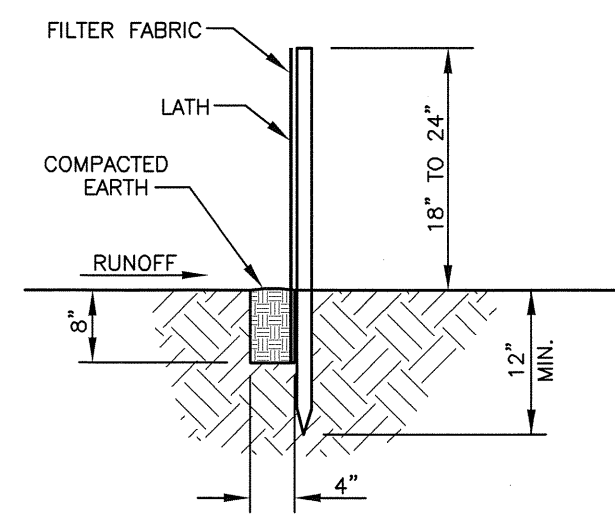
**HAY BALE DIKE**



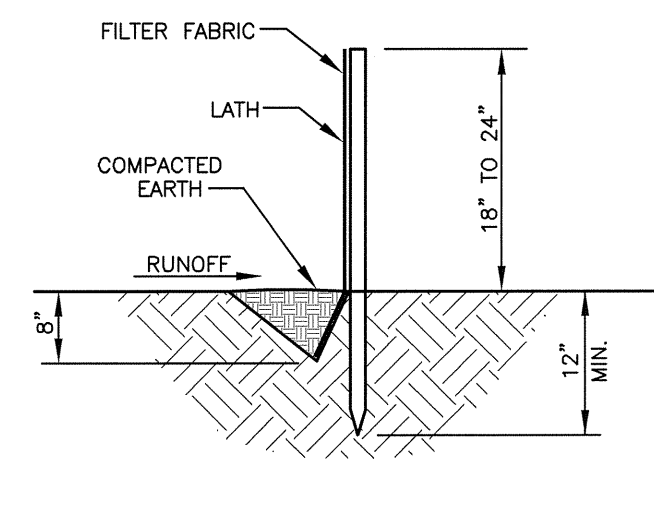
**SILT FENCE INSTALLATION**



**FABRIC ATTACHMENT DETAIL**



**FLAT-BOTTOM TRENCH SECTION**

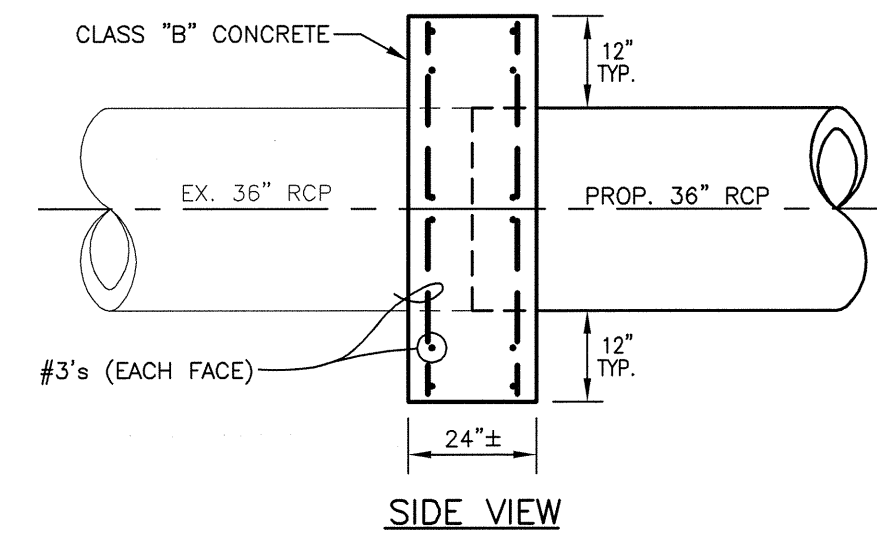


**V-SHAPED TRENCH SECTION**

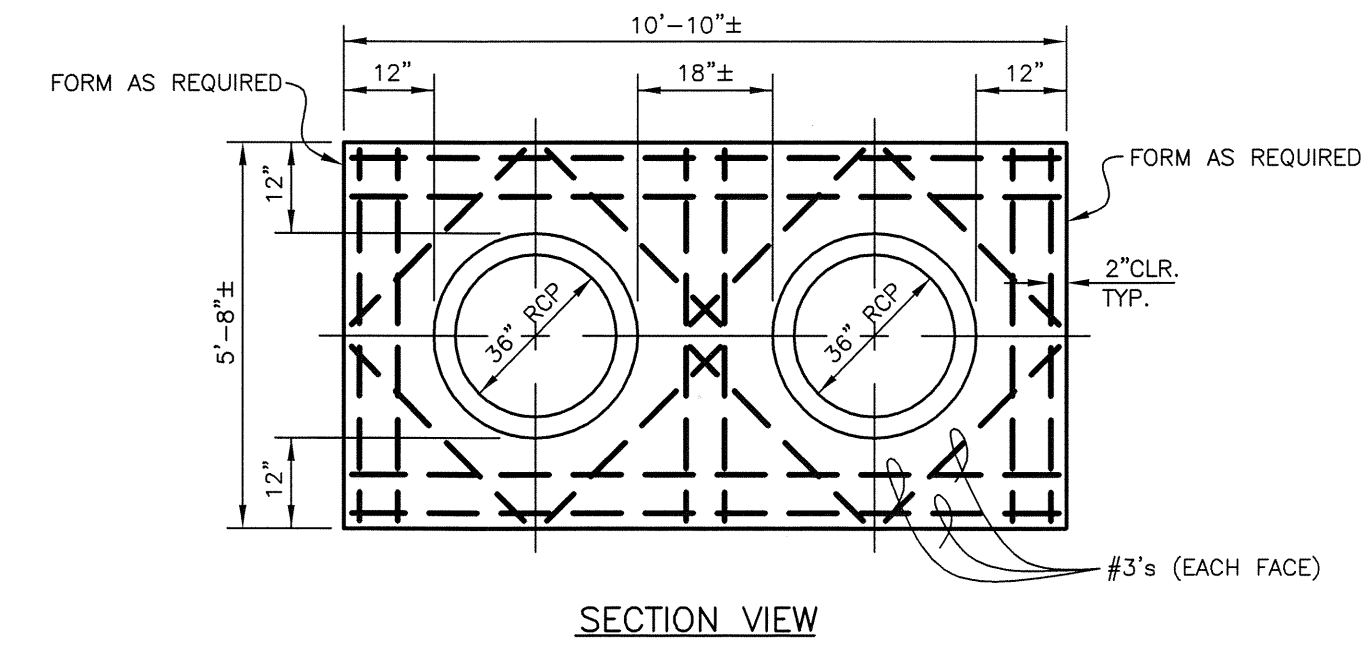
**SILT FENCE DETAILS**

N.T.S.

**SUGGESTED TEMPORARY EROSION, SEDIMENT & WATER POLLUTION CONTROL MEASURES**



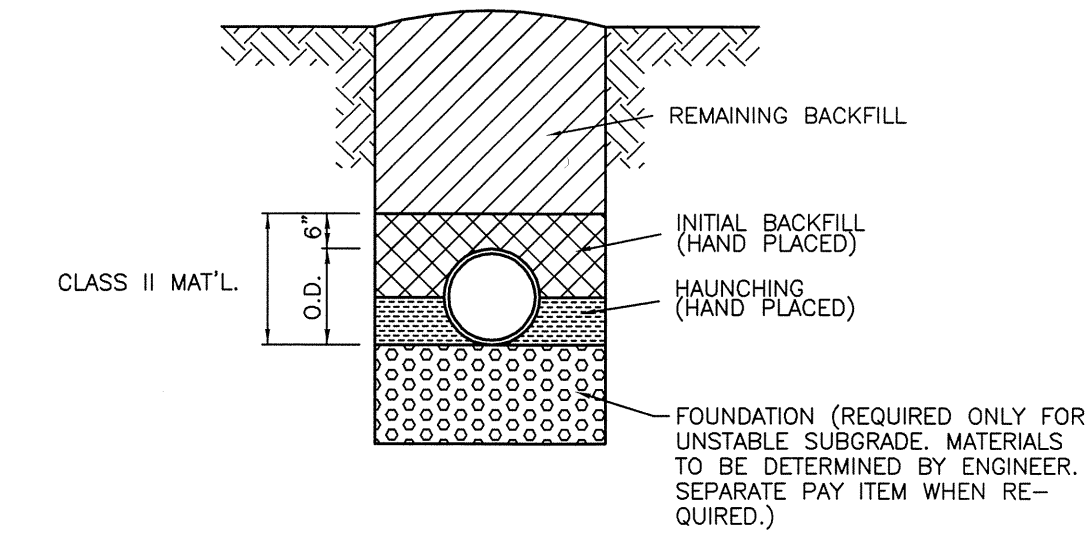
SIDE VIEW



SECTION VIEW

**CONCRETE ANCHOR COLLAR DETAIL**

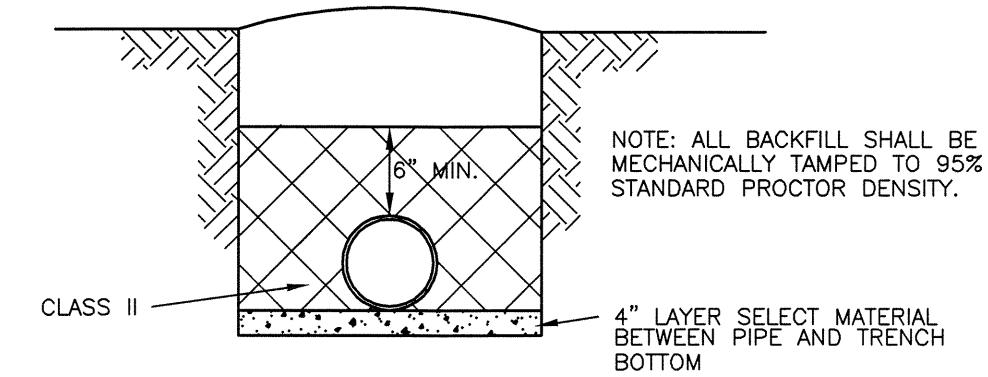
N.T.S.



**STORM SEWER-RIGID PIPE  
CLASS II EMBEDMENT**

N.T.S.

(TO BE USED FOR RIGID PIPE EXCEPT AS NOTED ON PLANS)



**STORM SEWER  
TYPE 2 LAYING CONDITION**

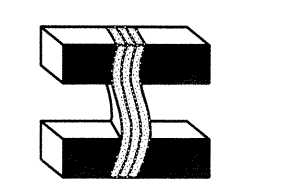
(USE FOR ROCKY OR HARD TRENCH BOTTOM)

CLASS I:  
LOW PI GRANULAR MATERIAL (CLEAN SAND) UP TO 3/4\"/>

CLASS II:  
SUITABLE NATIVE MATERIAL INCLUDING FINE SANDS, SANDY CLAY MIXTURE AND GRAVEL CLAY MIXTURE.

**STORM DETAILS**  
  
**EAST TEXAS REGIONAL AIRPORT**  
 GREGG COUNTY, TEXAS  
 2018 SOUTH GA APRON CONNECTOR

**HAYES ENGINEERING, INC.**  
 Texas Registered Engineering Firm F-1485  
 2126 Alpine St. Longview, TX 75601-3401  
 Tel.: (903) 788-2010 • Fax: (903) 758-2099



DRAWN BY : J.T.D.  
 CHECKED BY : S.R.H.  
 DATE : JAN. 2019  
 SCALE : N.T.S.  
 JOB NO. : GREGG-18-02

